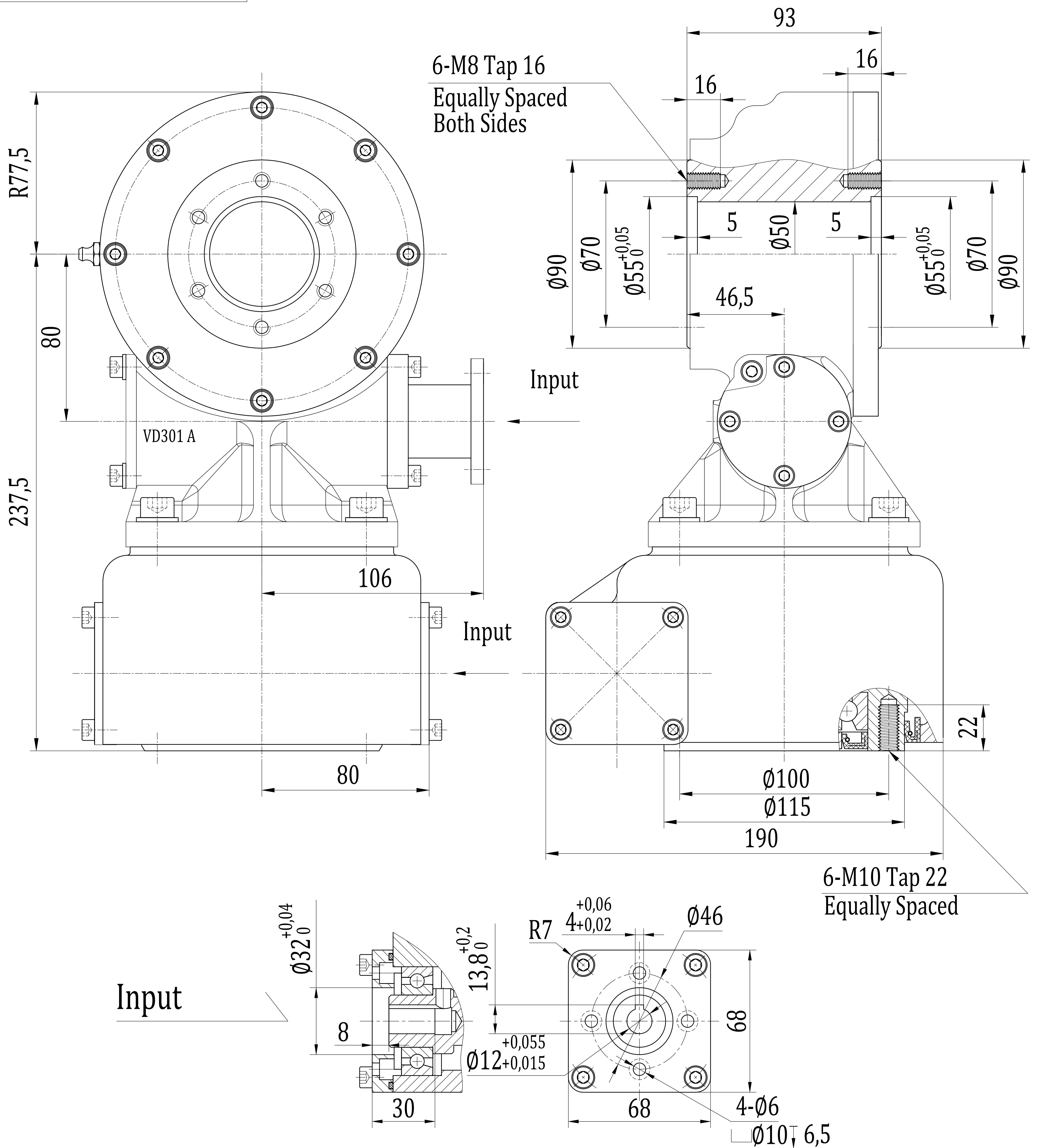


CORE SUN

SVH3



Sleew Drive Performance Parameters

SVH3	400 N.m	1100 N.m	2000 N.m	30 kN	16,6 kN	9,6 kN	8,4 kN	62 : 1	≤ 0,2° C: ≤ 0,15° B: ≤ 0,12° A: ≤ 0,08°	30%
	Output Torque	Tilting Moment Torque	Holding Torque	Static Axial Rating	Static Radial Rating	Dynamic Axial Rating	Dynamic Radial Rating	Gear Ratio	Precision	Efficiency