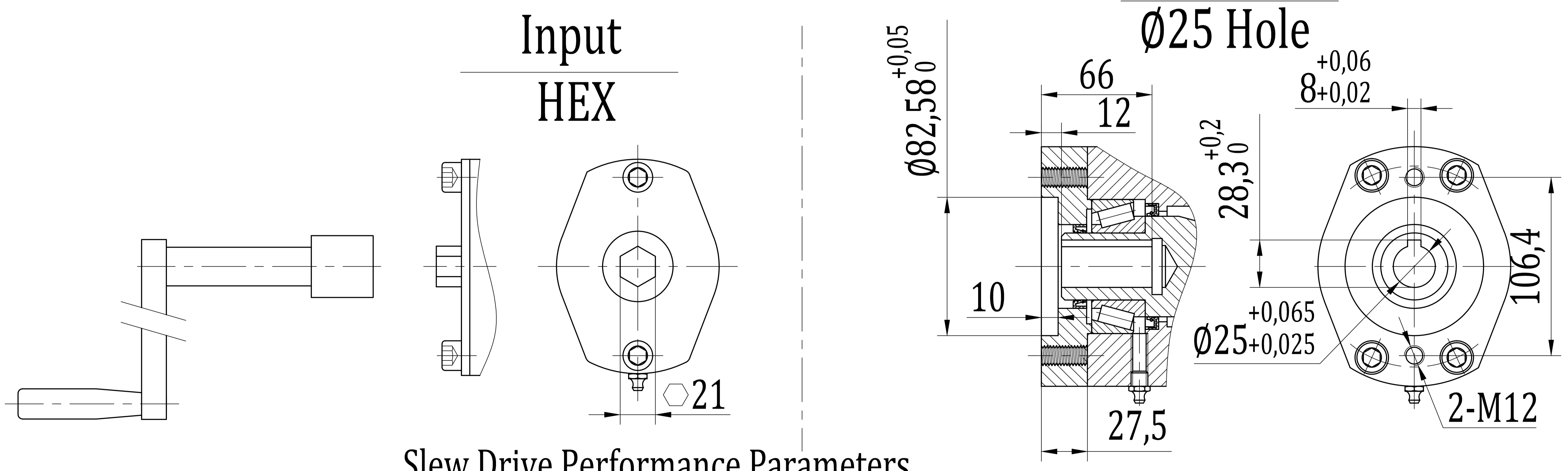
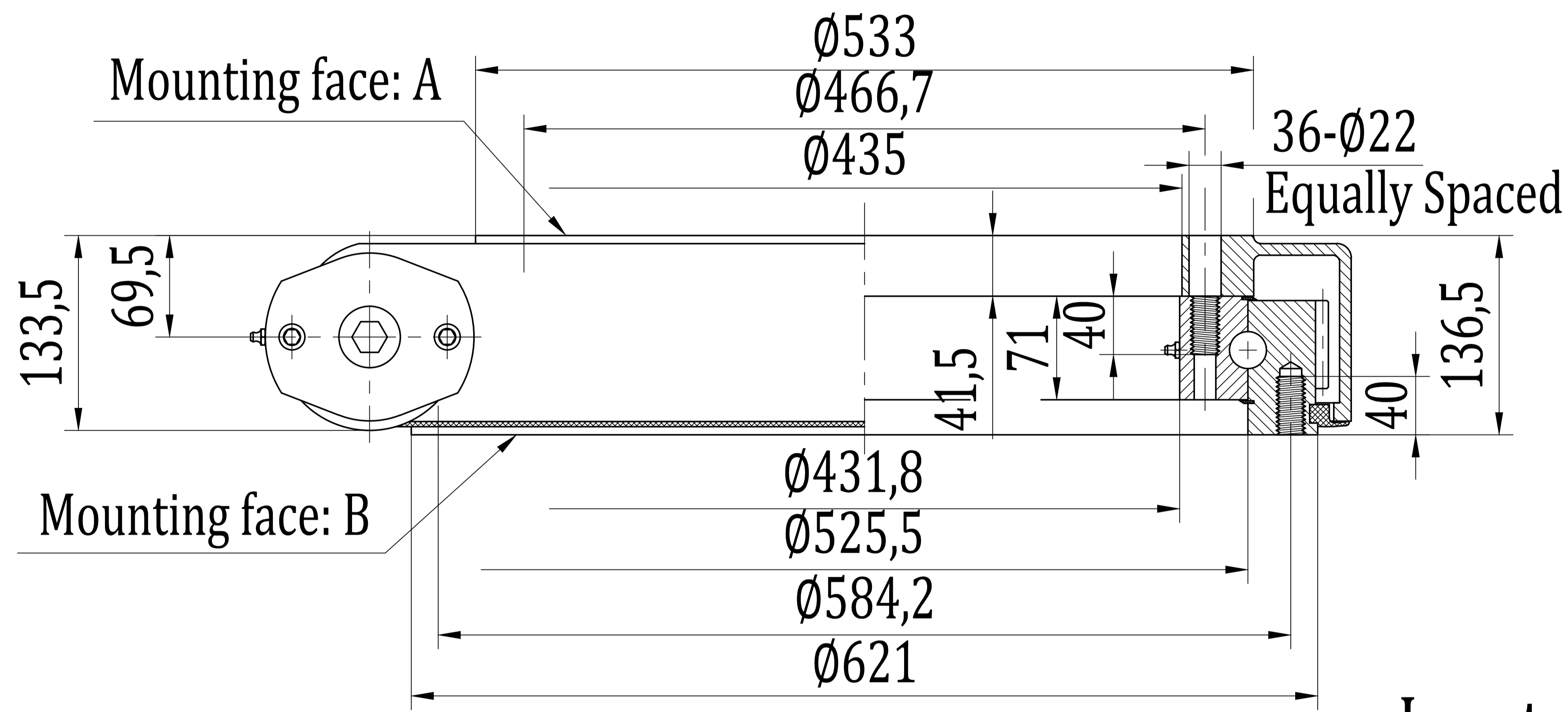
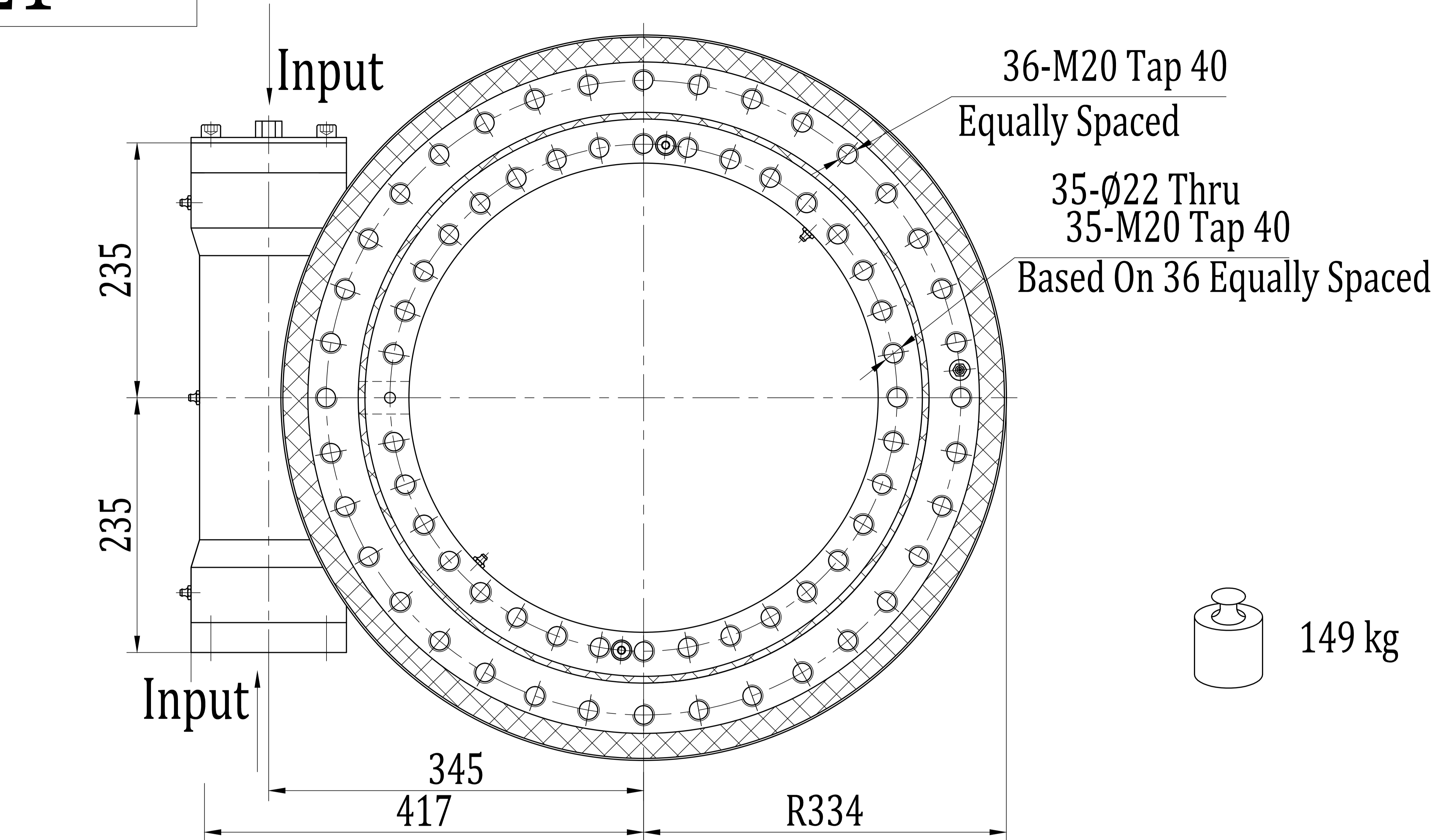


CORE SUN

SC21



Slew Drive Performance Parameters

SC21	15 kN.m	203 kN.m	105,8 kN.m	1598 kN	640 kN	385 kN	335 kN	125 : 1	$\leq 0,15^\circ$ $C: \leq 0,09^\circ$ $B: \leq 0,06^\circ$ $A: \leq 0,03^\circ$	40%
	Output Torque	Tilting Moment Torque	Holding Torque	Static Axial Rating	Static Radial Rating	Dynamic Axial Rating	Dynamic Radial Rating	Gear Ratio	Precision	Efficiency